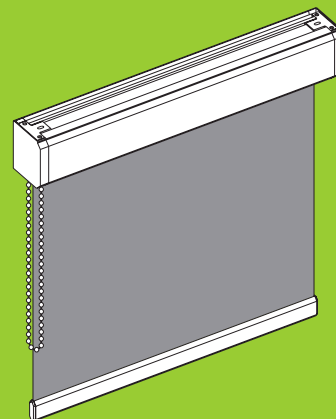


## Type R013 / R063

- Roller blind width:** max.2.00 m (depending on the fabric)
- Roller blind height:** max.3.00 m (depending on the fabric)
- Operation:** Type R013: chain  
Type R063: motor
- Operation side:** Optional left or right
- Operation height:** Standard dimension = roller blind height x 0.75
- Pattern of the hanging:** Optional facing inwards or outwards (standard: facing inwards)
- Profile colour:** Standard white RAL 9016 or grey RAL 9006  
Optional black RAL 9005 or brown RAL 8077



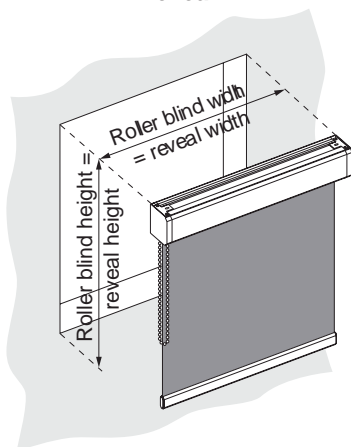
Type R013 Side control roller blind with angular cassette  
Type R063 Motor control roller blind with angular cassette

TYPER013 / R063

## Measuring and ordering

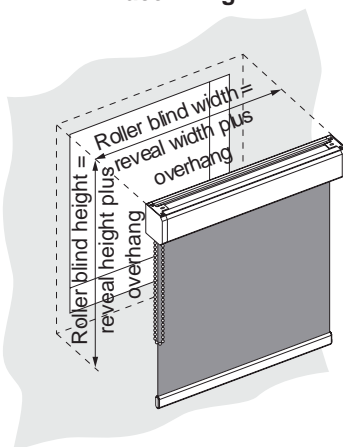
[www.rolety.czest.pl](http://www.rolety.czest.pl)

### Dimensions in the reveal



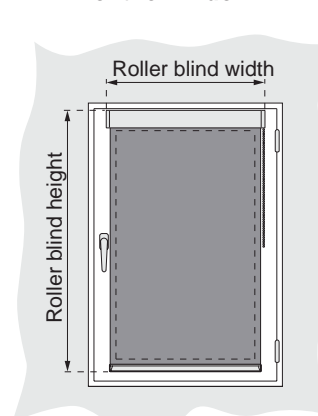
**Mounting in the reveal**  
Measure the reveal exactly at the necessary mounting height.

### Dimensions for face fixing



**Mounting for face fixing**  
When mounting in front of the window, allow for the necessary overhang.

### Dimensions on the wing of the window



**Mounting on the wing of the window**  
Make allowance for the side distance of the fabric from window fittings.

### Roller blind width

From the outermost point of the left cover cap to the outermost point of the right cover cap. The fabric is 30 mm or in the case of cord guiding 42 mm narrower than the roller blind width.

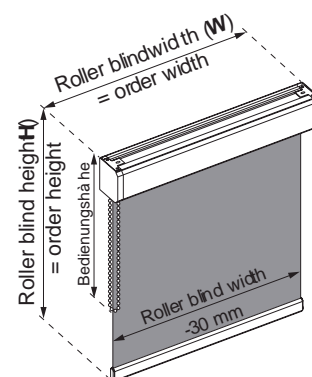
### Roller blind height

From the topmost point of the cassette to the bottommost point of the closing profile of the hanging.

**Roller blind width (W) = Order width**  
**Roller blind height (H) = Order height**

The basic price is determined on the basis of the width (W), the height (H) and the fabric quality (note the price group).

Additional charges for cord guiding, valance, guide profiles, motor operation (Type R063), mounting variants or special accessories are added to the basic price.



## Mounting

Various fix brackets and block holders are available for simple mounting of the pre-assembled roller blind on the wall, on the ceiling, in the window jamb or on the wing of a window.

Standard: Wall or ceiling mounting with clip.

Fastening clip

Face fix bracket



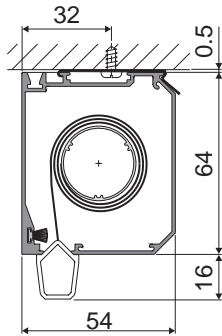
## Distances from other objects

Minimum distance between the hanging and protruding parts (e. g. window handles, etc.): 10-15 mm.

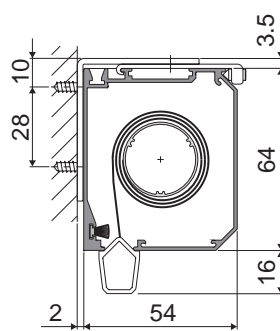
## Special variants

Available as special accessories are adjustable face fix brackets (60-108 mm, 108-156 mm and 156-204 mm) that can be used in place of the face fix bracket 33 mm.

### Ceiling mounting (with clip)

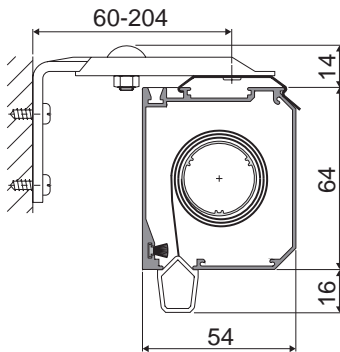


### Wall mounting (with face fix bracket 33 mm)

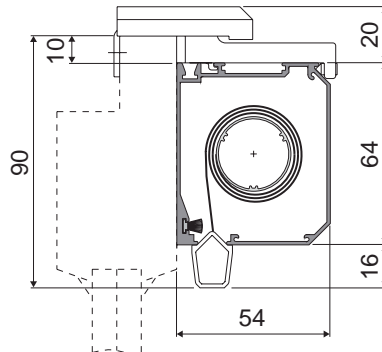


[www.rolety.czyst.pl](http://www.rolety.czyst.pl)

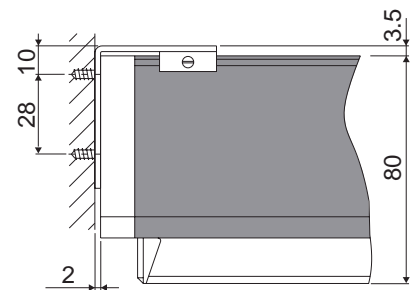
### Wall mounting (with face fix bracket, variable)



### Mounting on the wing of a window (with block holder)



### Mounting in the window jamb (with face fix bracket 33 mm)

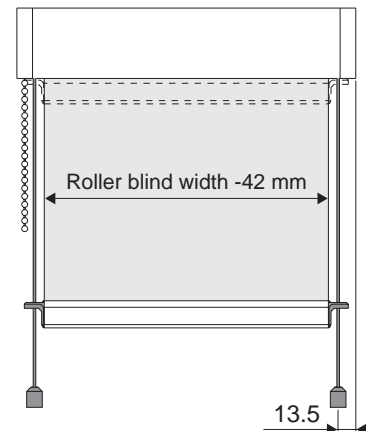


The **cord guiding** is available as an equipment option for Type R013 and Type R063.

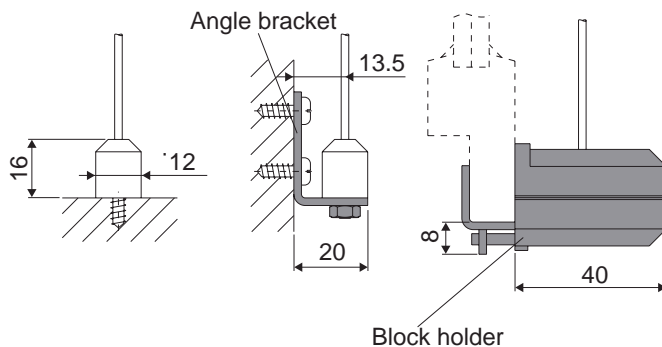
The hanging of the roller blind is guided between two cords running parallel to the wing of the window also when the window is in the inclined position (max. angle of inclination 15°). The cord is invisibly mounted in the cord guiding groove of the cassette profile. The cord runs through end pieces on the closing profile of the hanging which guarantee reliable guiding.

**Material (cord):** Standard = steel, plastic-coated, transparent or white (1.4 mm) or nylon, transparent (2 mm).

**Accessories:** Angle bracket for cord fixing (galvanised), block holder for cord fixing.



## Cord guiding



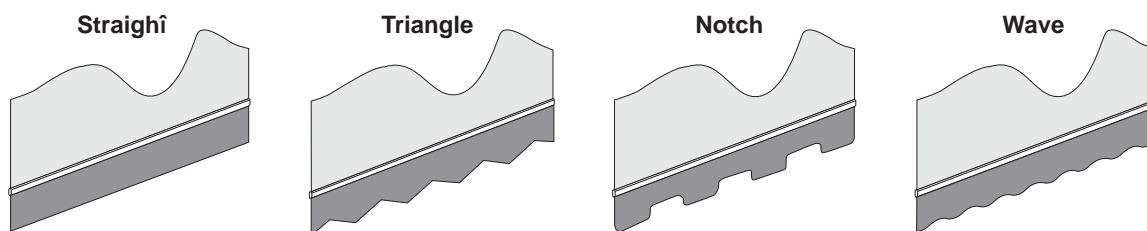
# Valance

The **valance** is available as an option for Type R013 and Type R063 (without the side guiding system option).

The roller blind hanging and the valance can be combined from all textile or non-coated fabrics of the roller blind collection. The valance shape can be freely selected.

The roller blind with valance is fitted with the closing profile for hangings with a valance, into which the upper part of the valance is inserted. The valance is bordered and the colour of the border matches the colour of the profile.

## Valance shapes



The **guide profile one-piece** is available as an equipment option for Type R013 and Type R063.

The closing profile of the hanging (on request with tight brushes) runs in the guide profile. The hanging extends into the guide profile on both sides. In this way the light gap at the side is covered in the optimum manner.

(Max. angle of inclination 15°.)

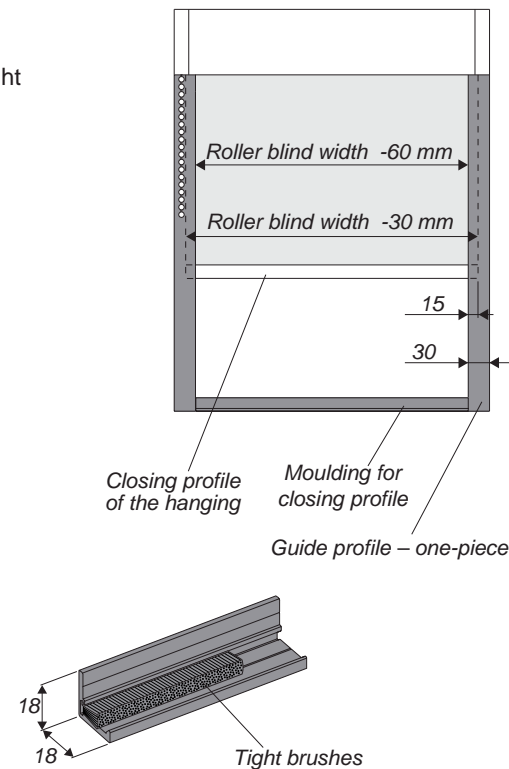
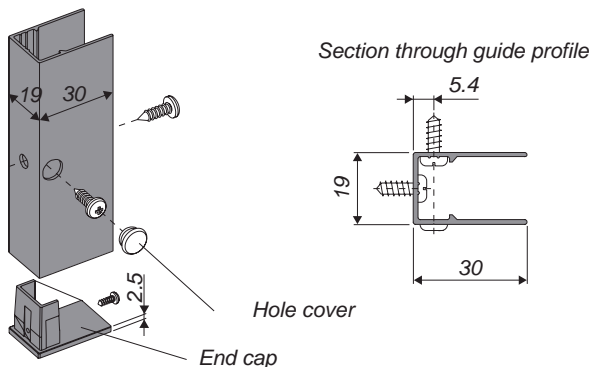
**Profile colour:** Matches the cassette colour.

**Dimensions:** Cross-section = 30 x 19 mm / length = max. 3.00 m.

**Accessories:** Moulding for closing profile with tight brushes, tight brushes for closing profile of the hanging.

**Mounting:** The profile is mounted on the wing of the window, on the frame, on the wall or in the window jamb.

*Note:* If mounted in the window jamb, measure the reveal at several points to determine the exact dimensions. The cassette and the guide profile must be mounted parallel and perpendicular.



The **guide profile two-piece** is available as an equipment option for Type R013 and Type R063.

A most extensive darkening is possible with the tight brushes.

The end pieces of the closing profile of the hangings run in the guide profile.

The hanging extends into the guide profile on both sides.

(Max. angle of inclination 15°.)

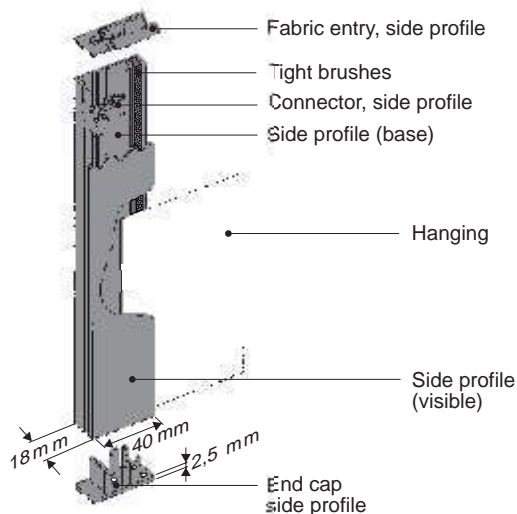
**Profile colour:** Matches the cassette colour.

**Dimensions:** Cross-section = 40 x 18 mm / length = max. 2.20 m.

**Accessories:** Moulding for closing profile with tight brushes, tight brushes for cassette profile and closing profile of the hanging.

**Mounting:** The side profile (base) is mounted on the wing of the window, on the frame, on the wall or in the window jamb. After the fabric of the hanging has been inserted, the side profile (visible) is clipped onto the profile connector and locked in position.

*Note:* If mounted in the window jamb, measure the reveal at several points to determine the exact dimensions. The cassette and the guide profile must be mounted parallel and perpendicular.



Section through guide profile

