

Type R052

Roller blind width: max.1.00 m (Roller blind height max. 2.00 m)
max.1.50 m (Roller blind height max. 1.50 m)

Roller blind height: max.1.50 m (Roller blind width max. 1.50 m)
max.2.00 m (Roller blind height max. 1.00 m)

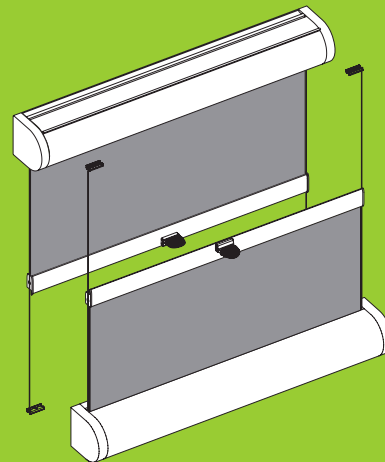
Note: Note the maximum dimensions of the hanging.

Pattern of the hanging: Optional facing inwards or outwards
(standard: facing inwards)

Profile colour: Standard white RAL 9016 or grey RAL 9006
Optional black RAL 9005 or brown RAL 8077

Operation option: Control rod 1.00 m, 1.50 m or 2.00 m

The tensioned vario roller blind Type R052 can be used variable. The cassette can be mounted at the top or at the bottom. The hanging will be brought in the desired position with the operation handle.



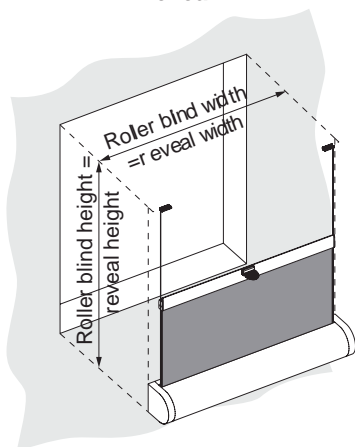
Tensioned vario roller blind with round cassette and handle operation.

TYPE R052

Measuring and ordering

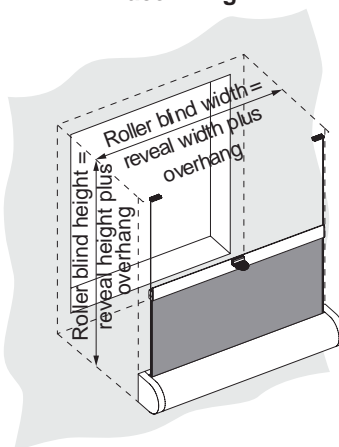
www.rolety.czest.pl

Dimensions in the reveal



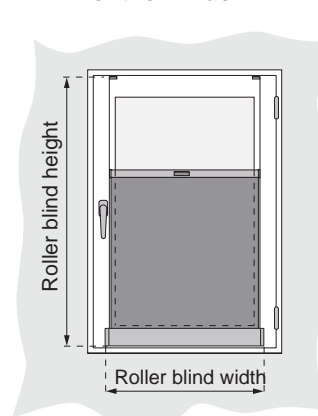
Mounting in the reveal
Measure the reveal exactly at the necessary mounting height.

Dimensions for face fixing



Mounting for face fixing
When mounting in front of the window, allow for the necessary overhang.

Dimensions on the wing of the window



Mounting on the wing of the window
Make allowance for the side distance of the fabric from window fittings.

Roller blind width

From the outermost point of the left cover cap to the outermost point of the right cover cap. The fabric is 34 mm narrower than the roller blind width.

Roller blind height

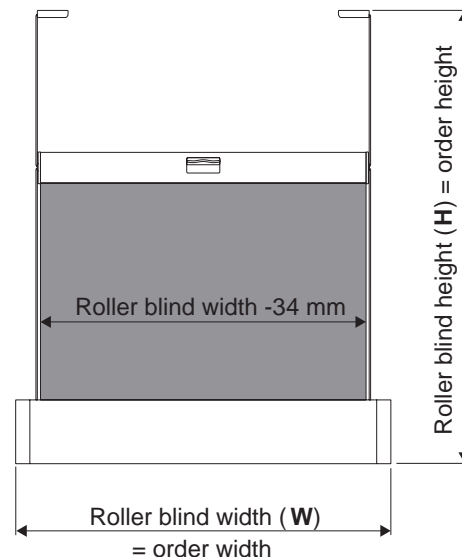
From the topmost point of the cassette to the bottommost point of the tension feet.

Roller blind width (W) = Order width
Roller blind height (H) = Order height

The basic price is determined on the basis of the width (W), the height (H) and the fabric quality (note the price group).

Additional charges for the Type will be added to the basic price.

Additional charges for valance, mounting variants or special accessories are added to the basic price.



Mounting

Various fix brackets and block holders are available for simple mounting of the pre-assembled roller blind on the wall, on the ceiling, in the window jamb or on the wing of a window.

Standard: Wall or ceiling mounting with clip.

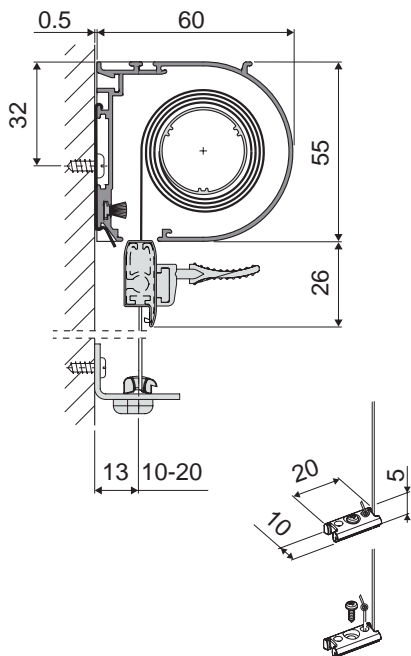
Fastening clips



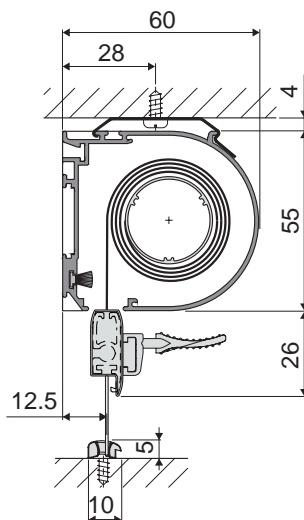
Distances from other objects

Minimum distance between the hanging and protruding parts (e. g. window handles, etc.): 10-15 mm.

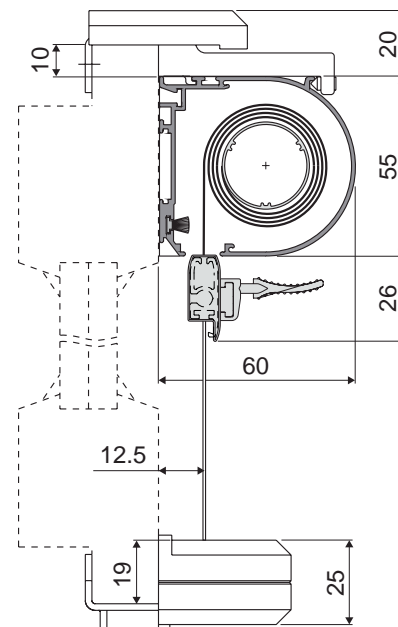
Wall mounting (with clip, flat)



Ceiling mounting (with clip, cranked)



Mounting on the wing of a window (with block holder)



Profile guiding

The **guide profile** **one-piece** is available as an equipment option for Type R052.

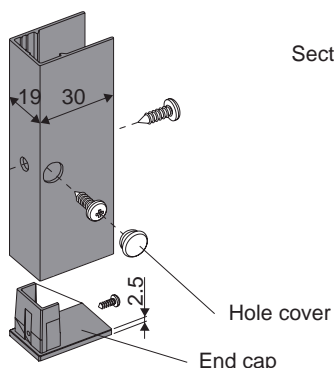
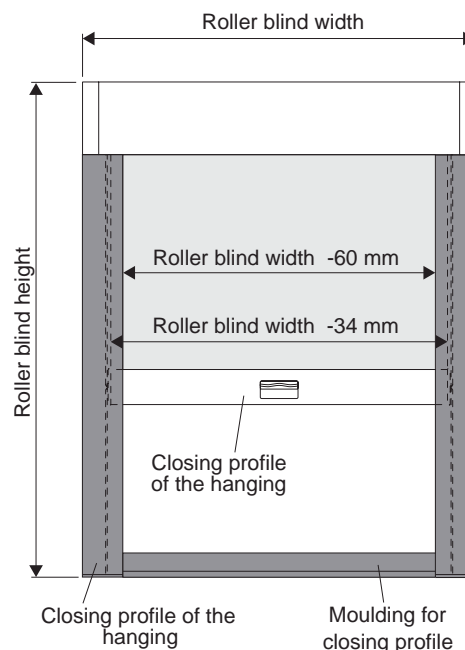
The closing profile of the hanging (on request with tight brushes) runs in the guide profile. The hanging extends into the guide profile on both sides. In this way the light gap at the side is covered in the optimum manner. (Max. angle of inclination 15°.)

Profile colour: Matches the cassette colour.

Accessories: Moulding for closing profile with tight brushes, tight brushes for closing profile of the hanging.

Mounting: The profile is mounted on the wing of the window, on the frame, on the wall or in the window jamb.

Note: *If mounted in the window jamb, measure the reveal at several points to determine the exact dimensions. The cassette and the guide profile must be mounted parallel and perpendicular.*



Section through guide profile

